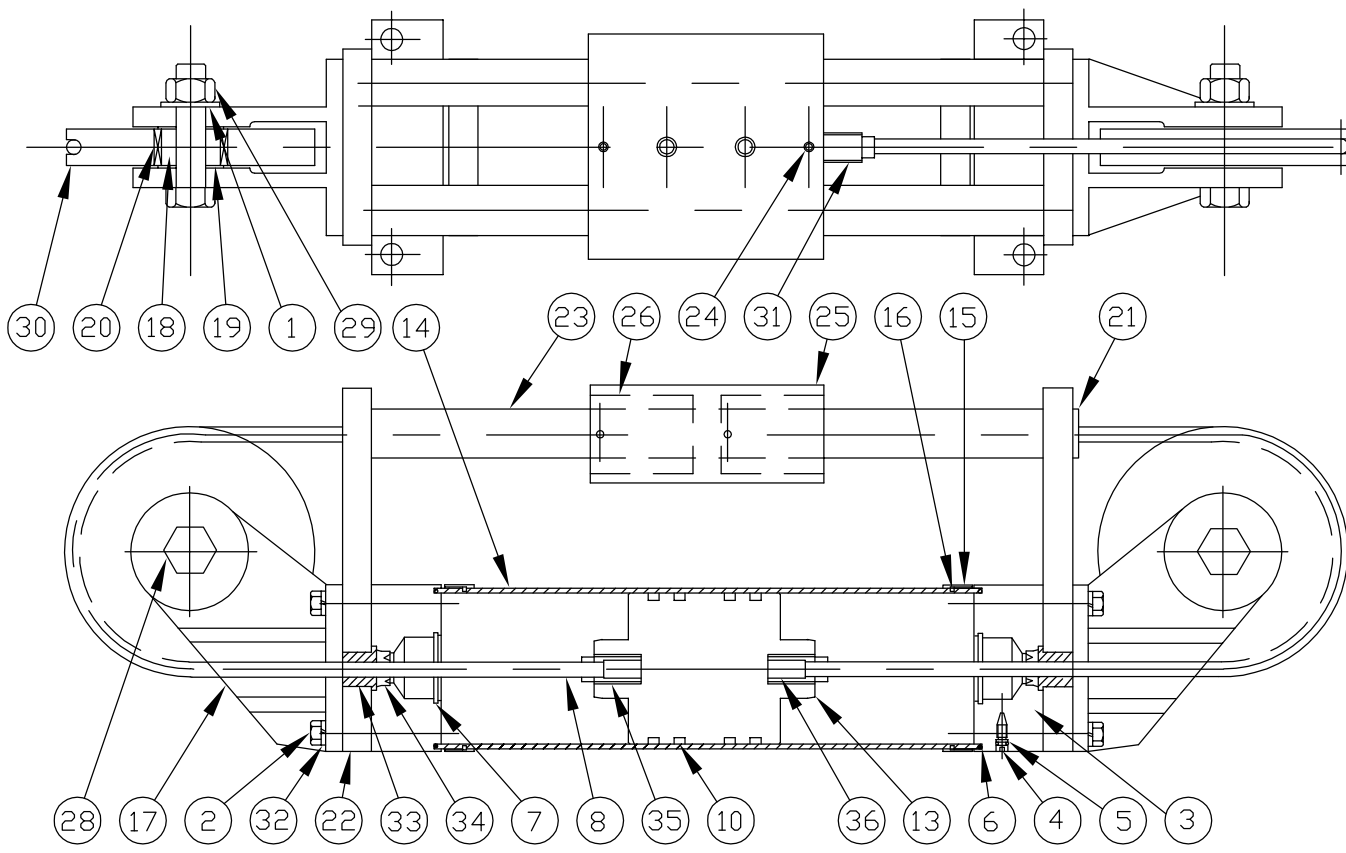


GREENCO  
 CORPORATION

# TRAC-TROL

5688 W. CRENSHAW ST.  
 TAMPA, FL. 33634-3013  
 PH: (813) 882-4400  
 FAX (813) 888-6688

MODELS 15, 20, 25, 32, 40, 50, 20P, & 25P



(-) 20S REPAIR KIT  
 (\*-) 20C REPAIR KIT

## PARTS LIST

WHEN ORDERING PARTS  
 PLEASE SPECIFY COMPLETE  
 MODEL AND SERIAL NUMBER

DESCRIPTION	PART NO.	QTY.	DESCRIPTION	PART NO.	QTY.
1. WASHER	3XX-01640	(2)	21. RET. RING	3XX-01301	(4)
2. HEAD BOLT	3XX-00XXX	(8)	22. ROD FLANGE	1XX-01208	(2)
3. FRONT HEAD	1XX-002XX	(2)	23. ROD		
4. CUSH. NEEDLE	1XX-00400	(2)	24. SET SCREW	3XX-01413	(2)
-5. NEEDLE O-RING	4XX-00300	(2)	25. TROLLEY	1XX-01411	(1)
-6. HEAD O-RING	4XX-00500	(2)	26. BEARING	5XX-02204	(4)
-7. CUSH. SEAL	4XX-00600	(2)	28. BOLT	3XX-01650	(2)
*8. CABLE S/A	9XX-XX00X	(2)	29. NUT	3XX-01660	(2)
			30. SHEAVE	1XX-01680	(2)
-10. U-CUP	4XX-01000	(2)	* 31. TROLLEY SCREW	1XX-00720	(2)
{ 13. PISTON	1XX-00804	(1)	32. LOCK WASHER	3XX-00130	(8)
{ 13. PISTON <small>MODELS T15 &amp; TS15 WITHOUT REED SWITCH</small>	115-00800	(1)	* 33. PILOT WASHER	1XX-00760	(2)
14. TUBING			* 34. CABLE SEAL	4XX-00740	(2)
15. HEAD FLANGE	1XX-01200	(2)	* 35. PISTON SCREW	1XX-00730	(2)
16. FLANGE RET.	3XX-01300	(2)	* 36. SWAGE	1XX-00710	(4)
17. BRACKET	1XX-01670	(2)			
18. SHAFT	1XX-01630	(2)			
19. THRUST WSHR.	5XX-01610	(4)			
20. BEARING	5XX-01620	(2)			

MODELS 20P,50,60,80	
20. BALL BEARING	5XX-01620 (4)
28. RET. RING	3XX-01690 (4)