

CABLE-TROL® cylinders provide the same stroke as conventional cylinders with about **50% SPACE SAVINGS**. As the piston is pushed in one direction, the load is pulled in

the opposite direction, within the length of the cylinder. Effective piston area is greater than in conventional rod cylinders, and there is equal force in both directions.

Requirement	Conventional Piston Rod Cylinder	CABLE-TROL®
LONG STROKE	HIGH COST SPECIAL	EVERYDAY STANDARD
LIMITED SPACE	CAN'T REDUCE - MUST ALLOW FOR TUBE PLUS STROKE	SAVES SPACE - STROKE PARALLELS TUBE
PUSH-PULL LOAD AROUND CORNERS	CAN'T DO	JUST UTILIZE STANDARD SHEAVE ACCESSORIES WITH CABLE-TROL®
ROTARY MOTIONS	CAN'T DO	NO PROBLEM - USE EXTRA CABLE & WRAP AROUND DRUM
CONCEALED LOCATION	REAL PROBLEM	IDEAL - SIMPLY EXTEND CABLE THROUGH COVER PLATE AND CONNECT TO LOAD

TYPICAL APPLICATIONS

<p>SPACE SAVINGS</p>	<p>TURN CORNERS</p>
<p>REMOTE LOCATION</p>	<p>ROTARY MOTION</p>

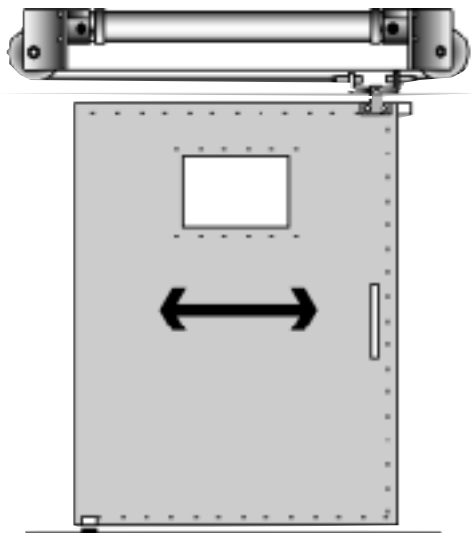
REMOTE LOCATION

CABLE-TROL® sheave assemblies can be ordered separately, as can additional cable. This allows the cylinder to be mounted remotely from where the load is to be moved. This is especially useful in harsh environments.

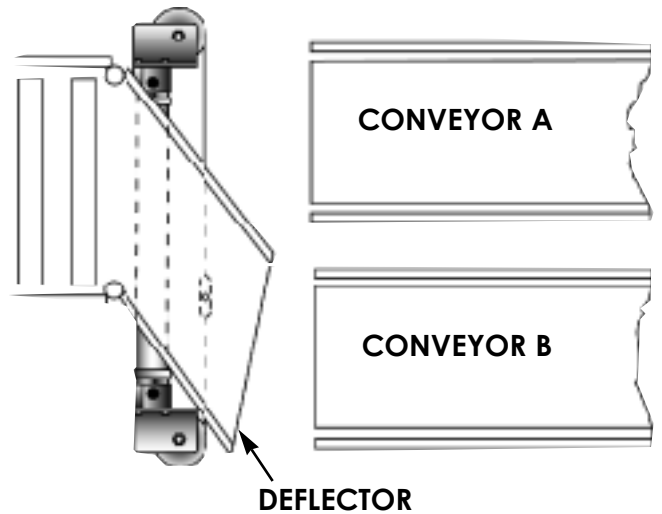
ROTARY MOTION

The cable can be attached to virtually anything. CABLE-TROLS® have been used to rotate valves, loading chutes, even amusement park displays.

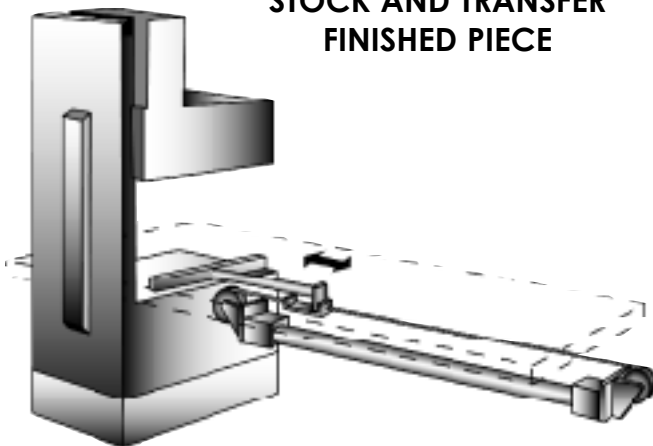
SLIDING DOORS OR WINDOWS



SWITCHING CONVEYOR LINES



FEED PUNCH PRESS WITH STOCK AND TRANSFER FINISHED PIECE



AUTOMATE SPRAY PAINT RIG, ROTATE TABLE AND RECIPROCATE NOZZLE

