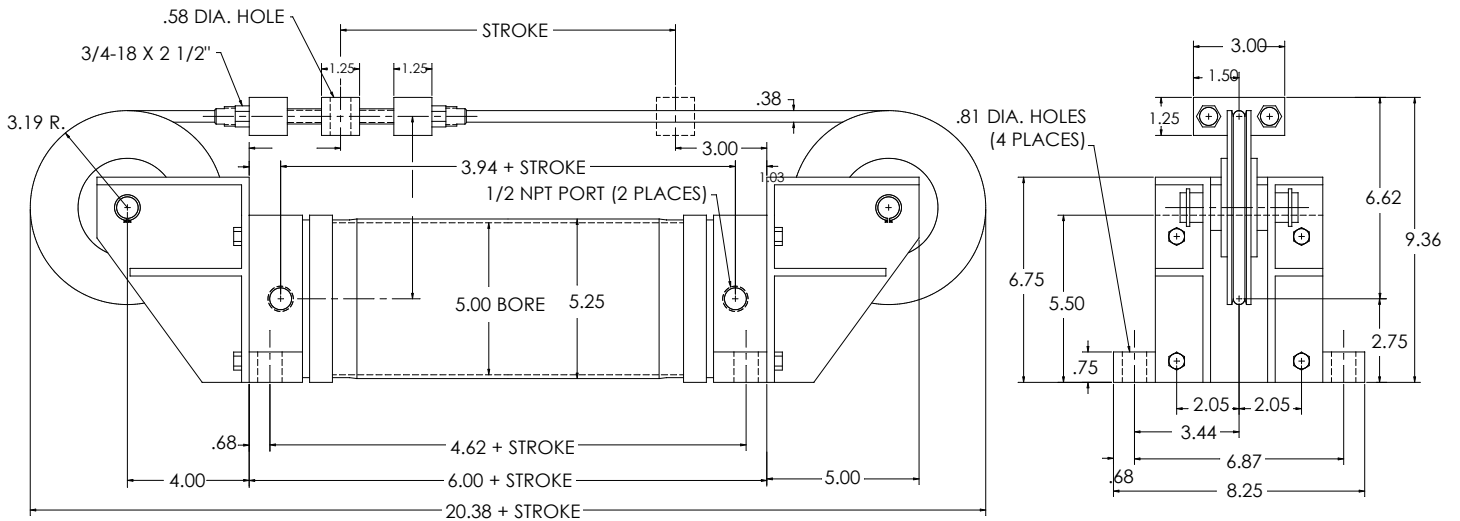
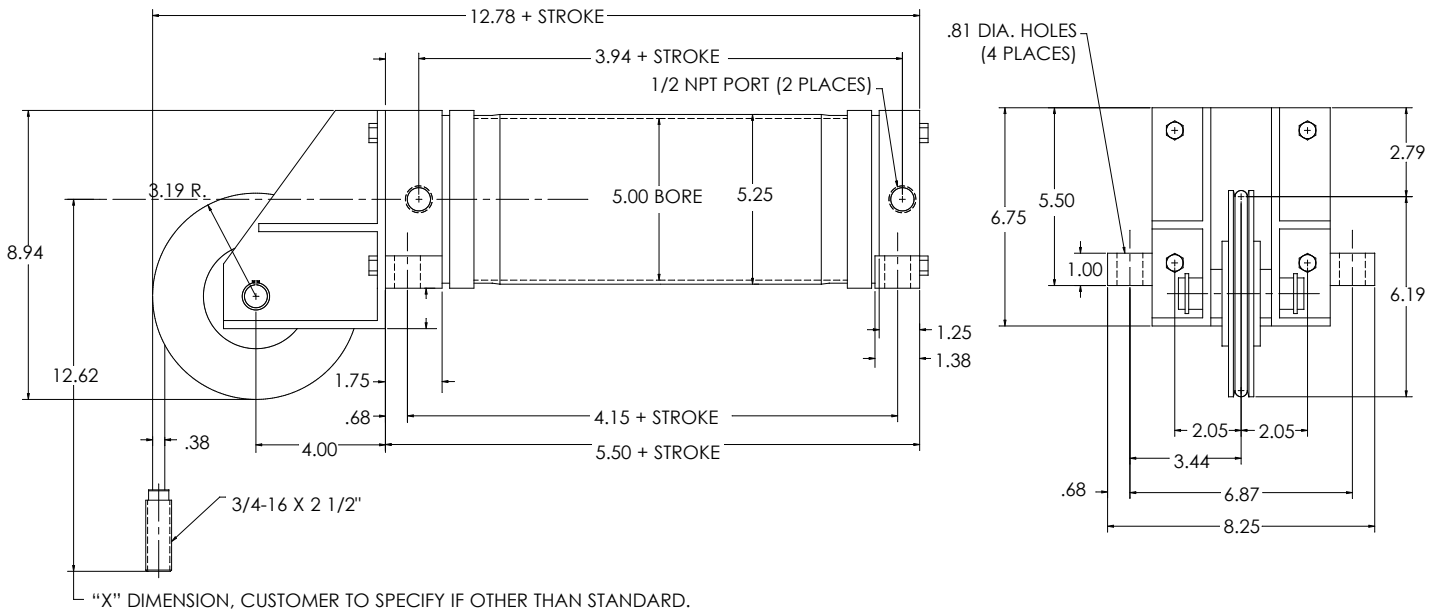


### MODEL 50 CD DOUBLE END



Position Shown on Drawing:  
 CD - Standard Side Port at 2, 4 and Sheave at Position 1  
 CS - Standard Side Port at 2, 4 and Sheave at Position 3  
 REED SWITCH OPTION INCREASES OVERALL LENGTH BY 2"

### MODEL 50 CS SINGLE END



Dimensions in inches  
 Tolerance on Overall Length is  $\pm 1/16$ "