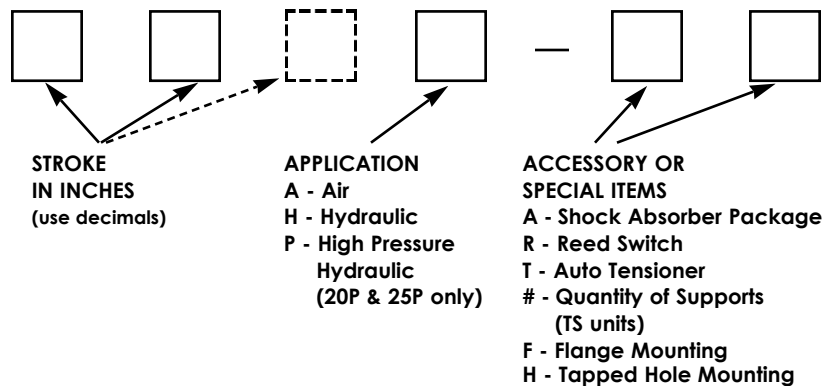
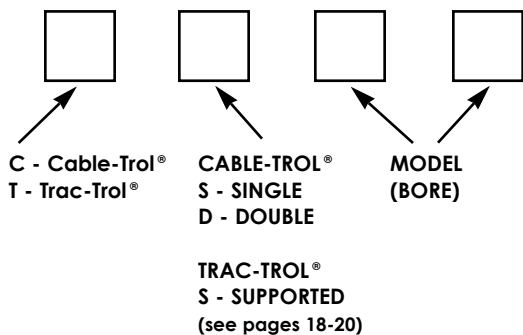


Unless otherwise specified all units are

1) base mounted (precision block except models 07, 10, 40 & 50), 2) side ports, and 3) Sheave/Trolleys at position 1.



EXAMPLES:

CD20156A-T - Cable-Trol®, double end, 2" bore x 156" stroke, air service, automatic tensioner.

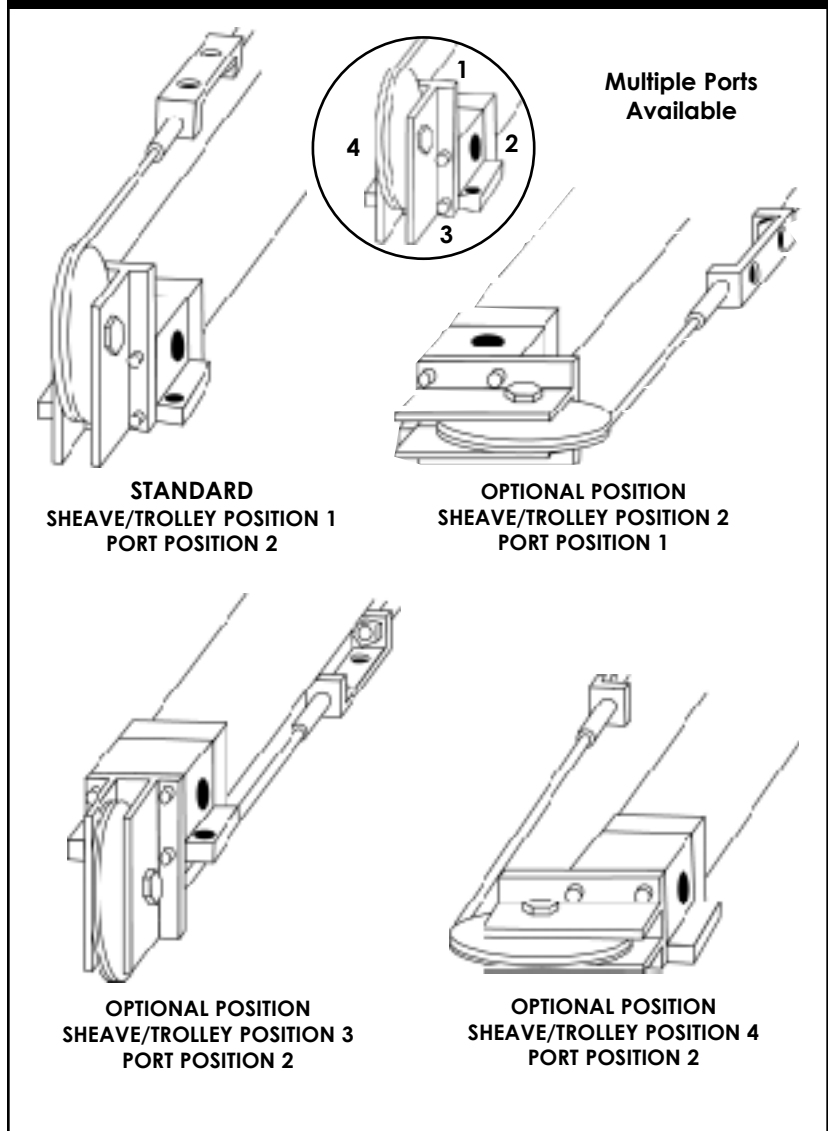
T1524H - Trac-Trol®, 1 1/2" bore, 24" stroke, hydraulic service.

TS2548.75A-2 - Supported Trac-Trol®, 2 1/2" bore, 48.75" stroke, air service, 2 supports.

CD40132H-TR - Cable-Trol®, double ended, 4" bore, 132" stroke, hydraulic service, automatic tensioner, reed switch package.

TS15108A-AR-4 - Supported Trac-Trol®, 1 1/2" bore, 108" stroke, air service, shock absorber package, reed switch package, 4 supports.

PORT, CUSHION & SHEAVE POSITIONS FOR MODELS 15 THROUGH 50.



PORT POSITIONS FOR MODELS 07 & 10

