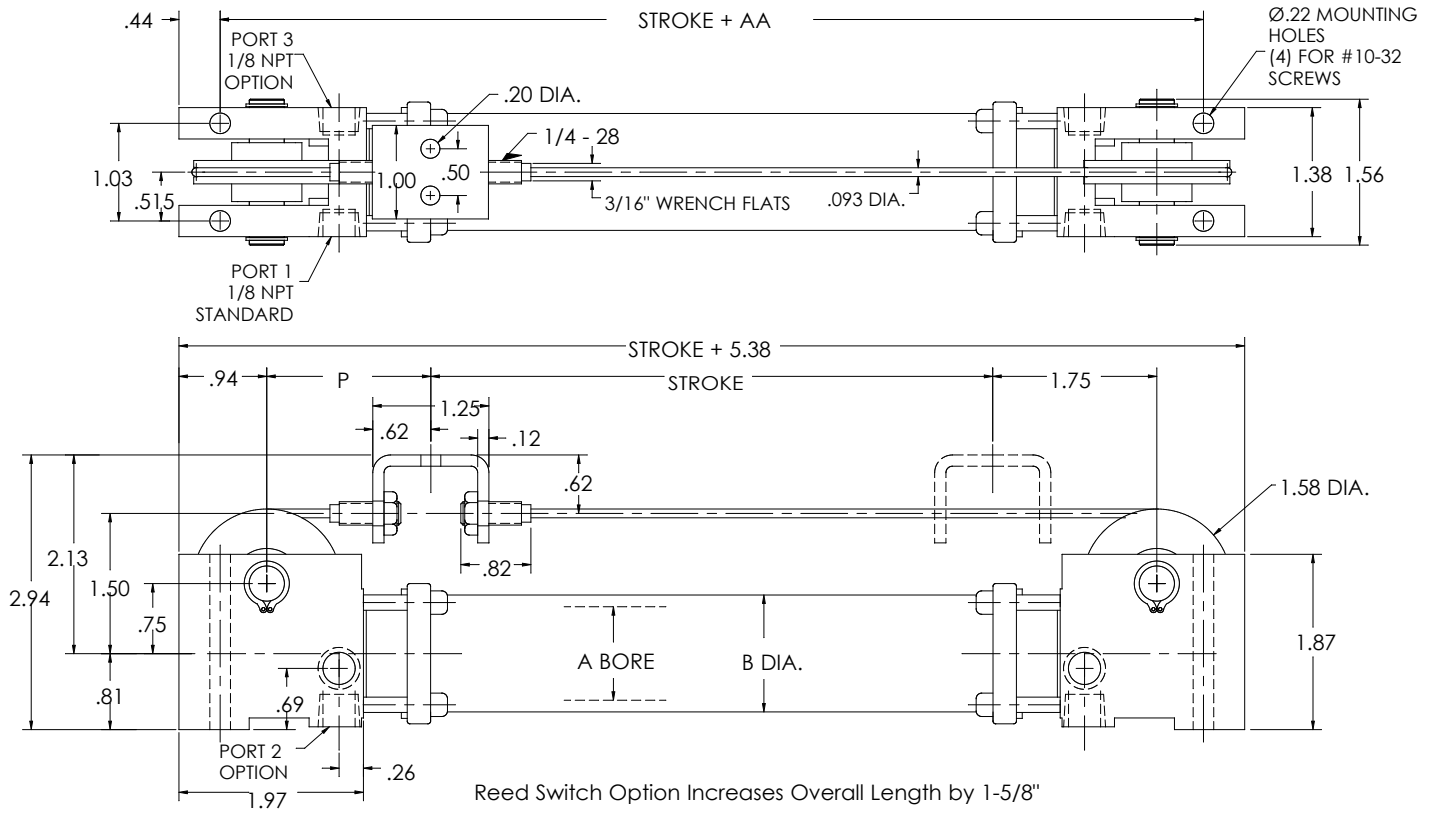
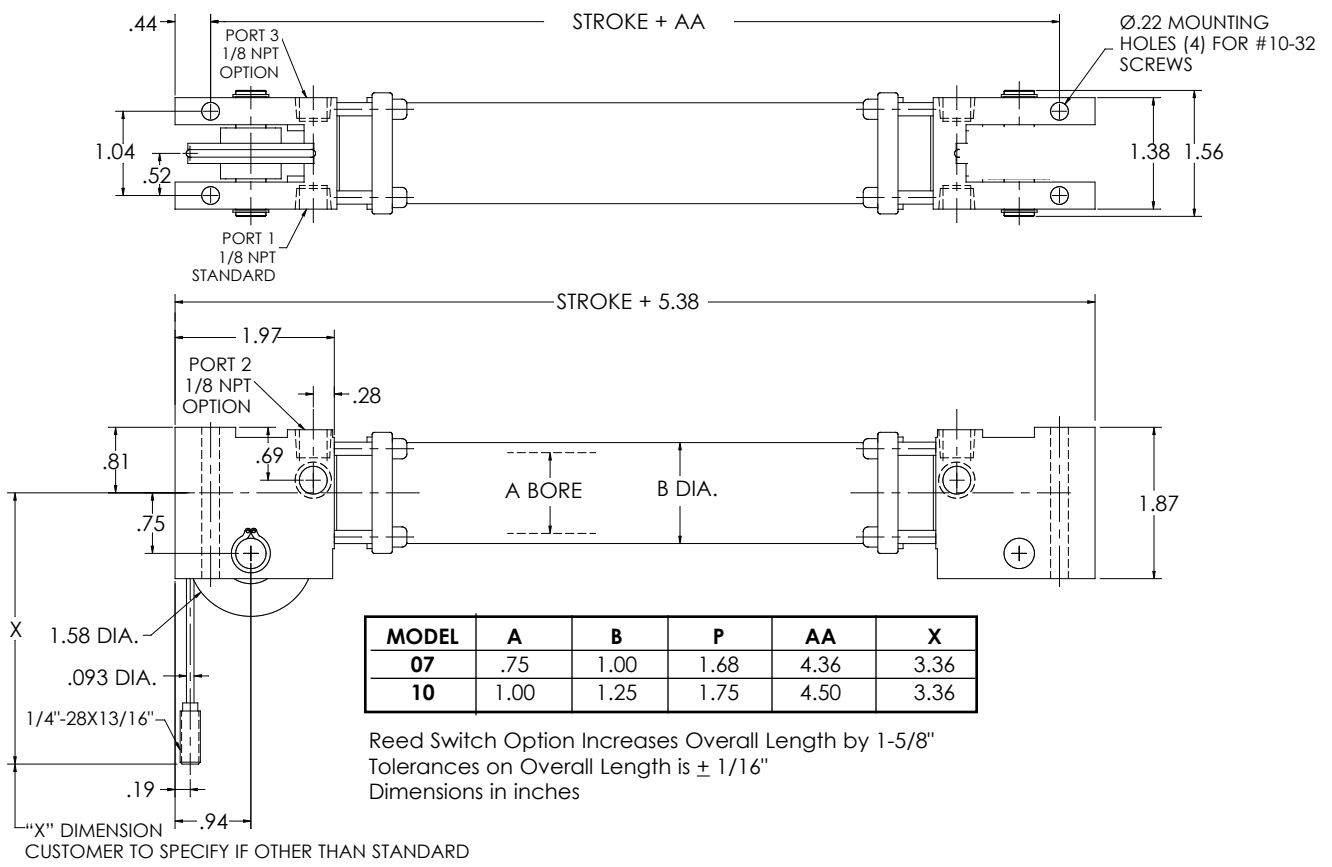


DOUBLE END - CD



SINGLE END - CS



MODEL	A	B	P	AA	X
07	.75	1.00	1.68	4.36	3.36
10	1.00	1.25	1.75	4.50	3.36

Reed Switch Option Increases Overall Length by 1-5/8"
Tolerances on Overall Length is ± 1/16"
Dimensions in inches